

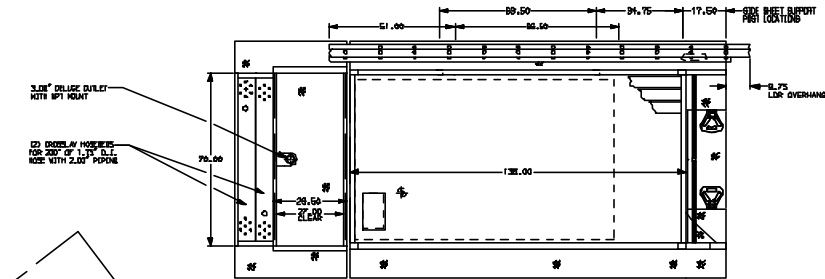
CODE 3 SIGNAL LIGHTS

VERT GRAB HOOKS WITH 8.00" REAR CORNER SECTION

DIRECTIONAL LIGHT WITH CODE 3 LASER MOUNTING LIGHT IS 7 CORNER BEZEL

CL1 CODE 3 PERO SPEAKER

CODE 3 MODEL 41 MOUNTING LIGHTS (2) EACH SIDE

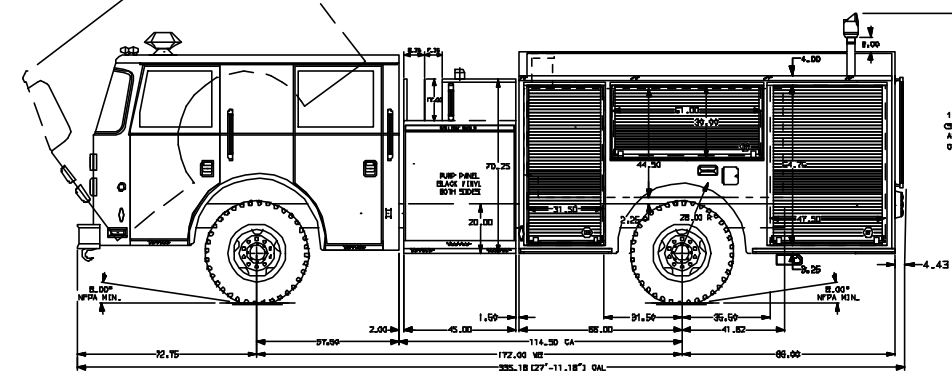


3.00" DRAIN OUTLET NOTE SP1 HOSE

(2) DRAINAGE HOSEWORK FOR 200" OF 1.50" DIA HOSE WITH 2.00" P-PHASE

SEE DETAIL SHEET FOR LOCATIONS

6.75" LDR OVERHANG



CL2 UTILITY AIR BECK LIGHTS

CL3 CODE 3 SIDE MOUNTING LIGHTS

CL4 2.00" OUTLET

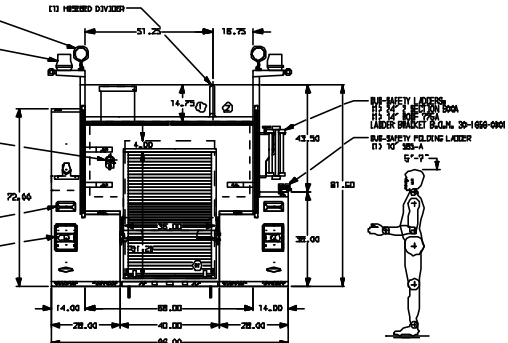
CL5 CODE 3 MODEL 41 MOUNTING LIGHTS

CL6 YELLOW SIDE/TAIL LIGHTS

CL7 YELLOW SIDE/REAR LIGHTS

CL8 YELLOW SIDE-UP LIGHTS IN A CORNER BEZEL

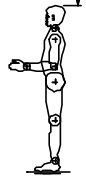
ROCKED DIMENSIONS  
 (1) 100% OF 1.50" DIA  
 (2) 100% OF 1.50" DIA



CL9 HISSER DIVIDER

CL10 SAFETY LADDER (1) 12" L x 18" W DIA LADDER BRACKET BULK, 30-1666-004

CL11 SAFETY FOLDING LADDER (1) 10" W x 18" H



ALUMINUM BODY

NOTE  
 DIMENSIONS SHOWN ARE APPROXIMATE AND ARE SUBJECT TO MINOR DEVIATIONS AS MAY OCCUR OR BE NECESSARY IN CONSTRUCTION.  
 MINOR DETAILS NOT SHOWN.

1. DIMENSIONS SHOWN ARE APPROXIMATE AND ARE SUBJECT TO MINOR DEVIATIONS AS MAY OCCUR OR BE NECESSARY IN CONSTRUCTION.  
 2. AIR TOLERANCE ON THE OUTER SURFACE AREA

						JOB NO.	7049
				MANUFACTURING INC. <small>APPLETON, WISCONSIN</small>		DATE	1-24
				TITLE 1250-D-1000 POLY, 152 BODY, 45" SIDE CONTROL REAR OUTLET, (2) CROSSLAYS, DELUSE		DESIGNED BY	MFL
				FOR PIERCE MANUFACTURING INC. APPLETON, WISCONSIN		DRAWN BY	---
				DRWG. NO. 7049AD		SHEET NO.	1 of 1
				CONTENDER NO.		DATE	D